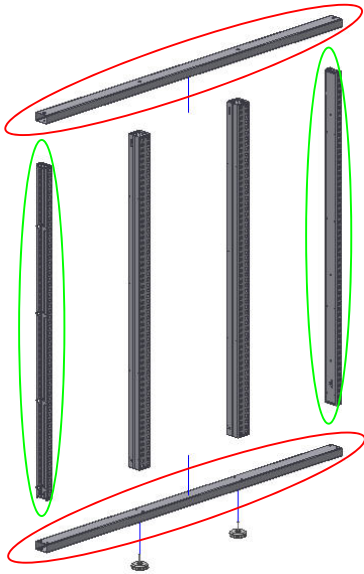


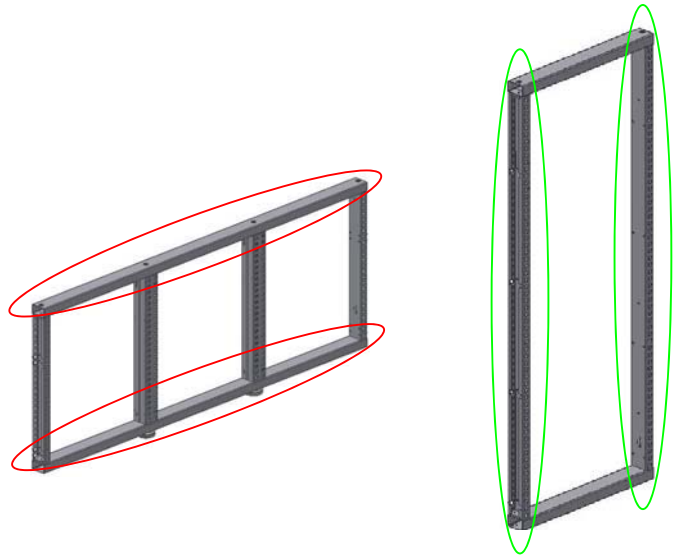
TECNOLAN - TECNOWORK

Base Frame

→ Formed by dismountable profiles.



→ Frames are configurable.



→ Full compatibility with TL- TW and Console.

→ Frame assembly through central post without need for base upright.



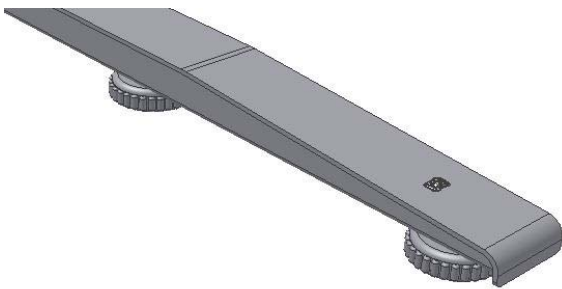
→ Lower transportation costs.

Base Upright

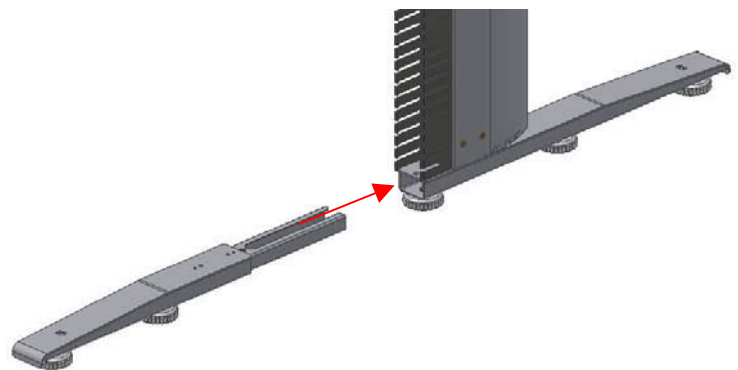
- Shape similar to Advantis upright. New design.
- Enhanced wiring capacity (75mm cable duct). Increases 50%.
- ABS plastic finish on top, manufactured exclusively by GESAB. New material.



- Softer lines in foot design. Safer and more modern.



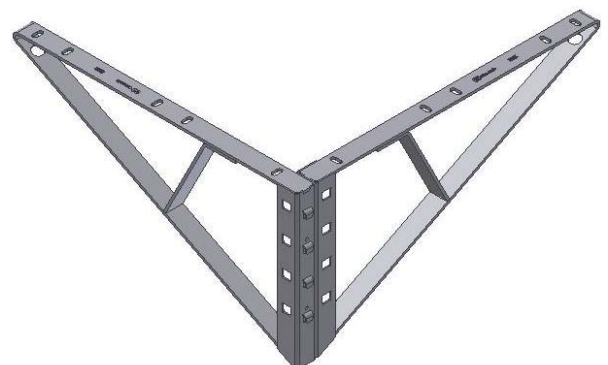
- Double side foot = Extensible foot. No need for dismantling the upright.



- Reduction in screws quantity without affecting load capacity.

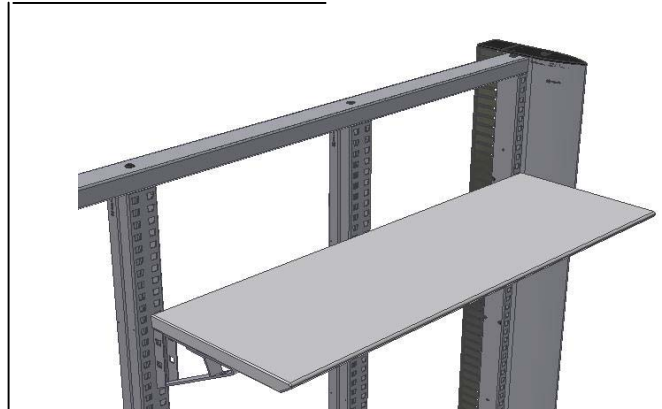
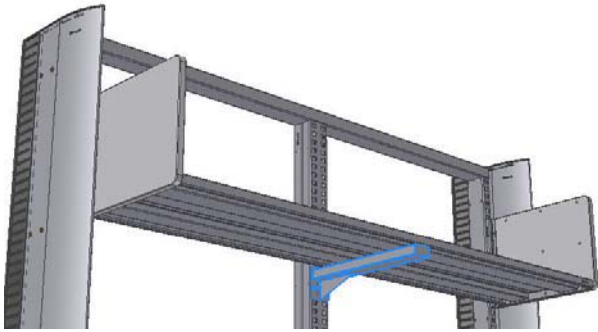
Work surfaces

- New bracket support design, lighter yet very resistant.
- Corner brackets are two standard brackets mounted one over the other.



Shelves

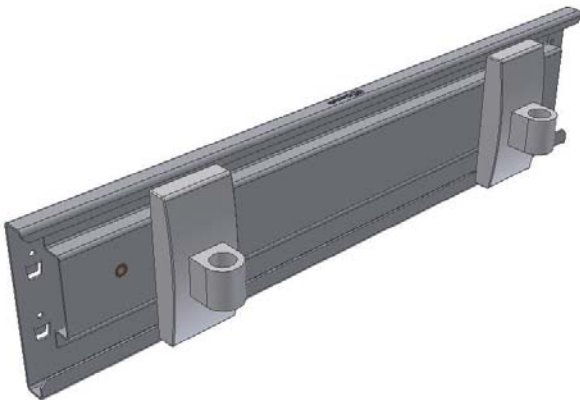
→ New hidden middle support in metal shelves, for increased load capacity.



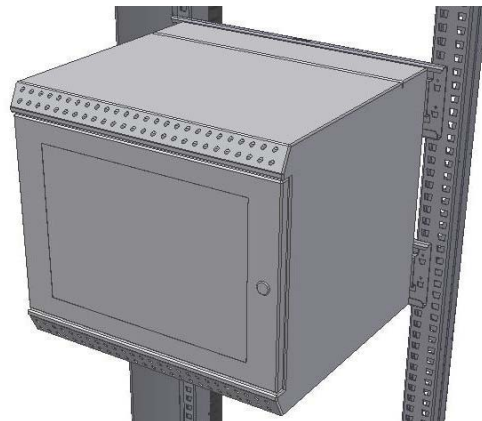
→ Two materials to choose: metal or plywood*.

TFT Support

→ Adapts perfectly to Human Scale wall mount.



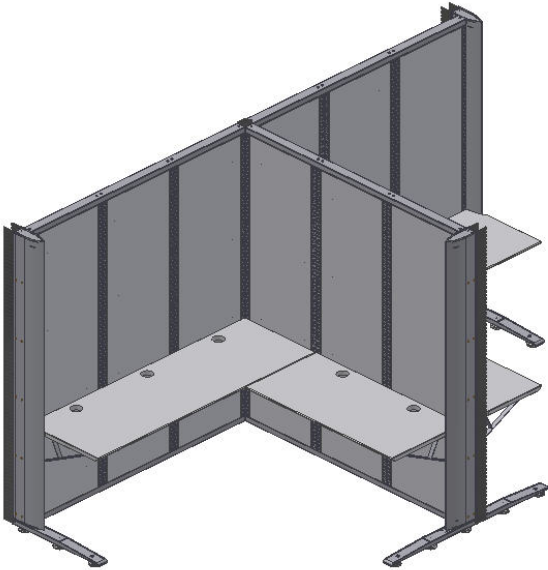
→ Allows assembly of 19" Rack Mural.



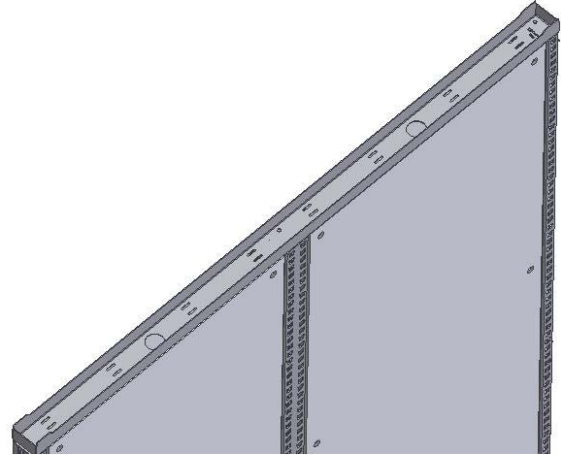
→ Comes in different size for each type of base frame.

Panels*

→ Panels are installed inside the frames



→ Wiring goes through the upper part.



→ Can be assembled to an already mounted configuration.

→ All TL-TW accessories remain useful.

→ Additionally surface boxes can be assembled (intakes, outlets...)

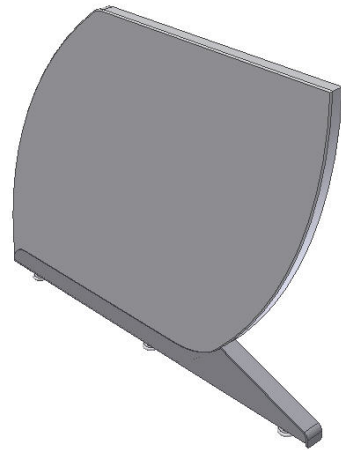
CONSOLE*

Structure

- Compatibility with TL-TW frames.
- Height: 740mm
- Linear and angular configurations (15°-30°-45°-60°-90°)



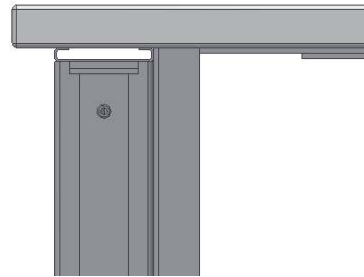
- It is possible to choose between standard TL-TW or plywood uprights.



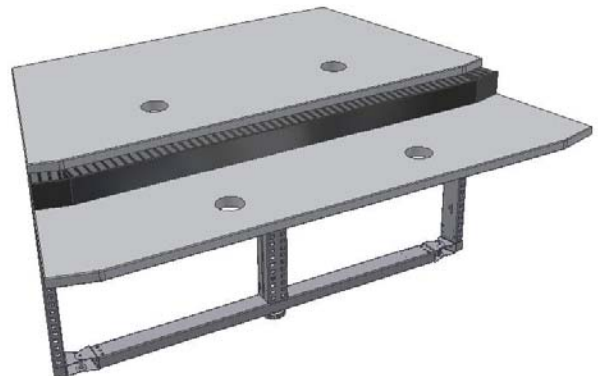
- Horizontal wiring.

Work surfaces and shelves

- Work surfaces have better finish and assembly than TL-TW.
- For better looks work surfaces are placed over the frames.

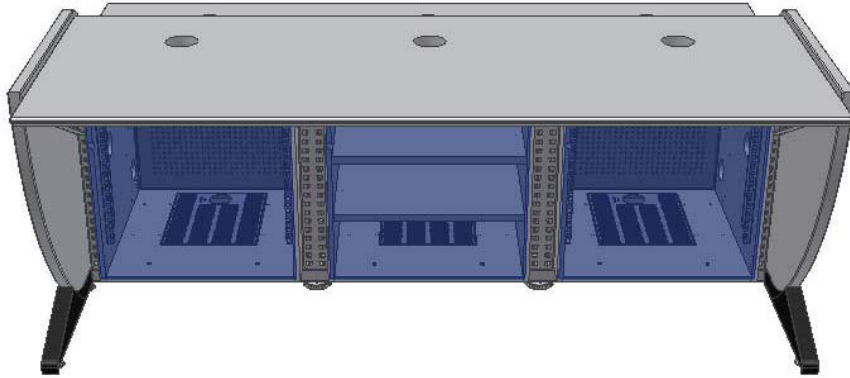


- Shelves for monitors are in a lower level for better ergonomics.
- They have the same finish as work surfaces.
- Shelves are supported by brackets, thus cabinets are not needed for support.

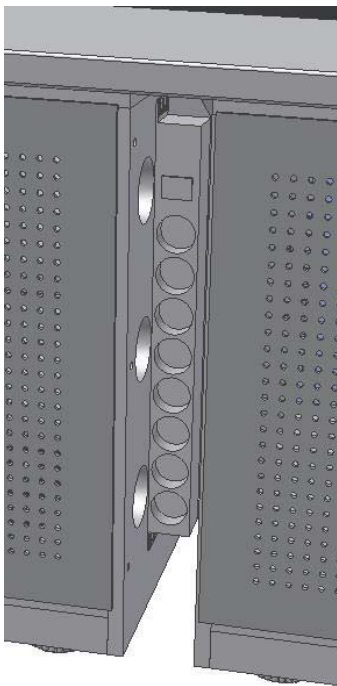


Cabinets

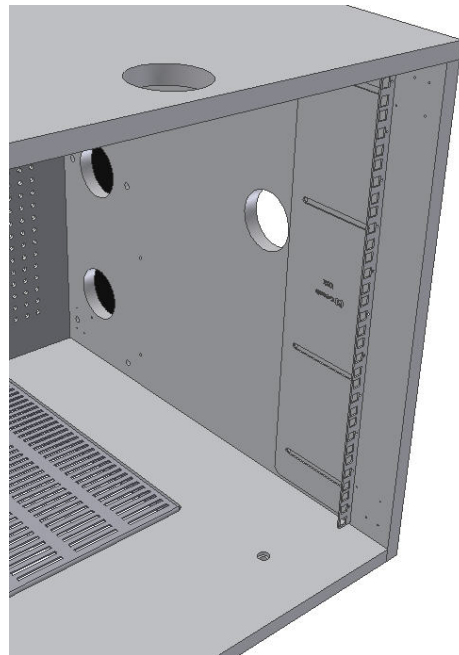
→ Cabinets are placed in between each frame section.



→ Between cabinets a Technical Service Area can be placed for better wiring.



→ They are prepared for hosting different accessories (19" adapters, shelves...)



→ Wiring access both vertically and horizontally, remaining compatible with horizontal wiring from TL-TW

***NEW**