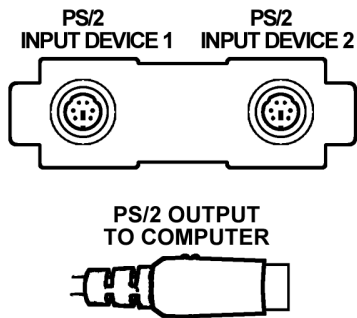


***Y-mouse* Dual PS/2 Mouse Adapter** (WHYM-0002)



- Accommodates right and left-handed users by placing mice on both sides of a computer
- Switching between devices helps avoid repetitive motion problems
- Daisy chain to attach even more pointing devices at a time

Use 2 pointing devices from one port! Simultaneously connect two compatible pointing devices such as standard mice and trackballs. The PS/2 ***Y-mouse*** also supports most scrolling mice.

The ***Y-mouse*** Dual PS/2 Mouse Adapter Port works with all systems that support a PS/2 mouse. Both devices need to use similar mouse protocol. Trackballs, Touchpads and Mice are all relative coordinate devices that use similar mouse protocol.

Specifications

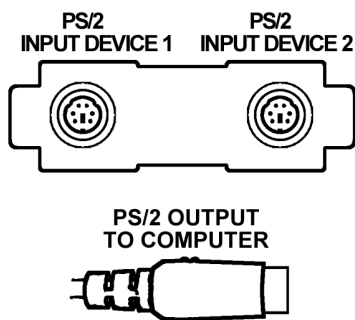
| | |
|--------------------------|--|
| Operating System | All systems compatible with PS/2 mice |
| Connectors | Two 6 pin PS/2 sockets, one 6 pin PS/2 plug (mini DIN 6) |
| Dimensions | 4" x 2.5" x .75", 100 mm x 63 mm x 20 mm without cord |
| Weight | 2 oz., 60 grams |
| Power Consumption | Less than 15 ma @ 5 vdc with 2 mice |
| Power Source | Directly from PS/2 mouse port |
| Nominal Voltage | 5 vdc |
| Software | Special software is not required |
| Drivers | Uses default mouse driver |
| Certification | FCC class B, CE |

Specifications subject to change without notice

Y-mouse by P.I. Engineering

Maahantuoja: Scanmagnetics Oy, PL 34, 00811Helsinki, www.scanmagnetics.com
Phone: 09-2712200, Fax: 09-2712210, email: xkeys@scanmagnetics.com
www.ymouse.com

Y-key key Dual Keyboard Adapter (WHYM-0004)



- Simultaneously connect a special *and* standard keyboard to the same port
- Quick access to both standard and kid's keyboard
- Perfect for computers requiring input from two locations, i.e. two sides of a desk or two adjacent rooms

Use 2 keyboards from the same PC! The *Y-key key* is the simple way to attach two keyboards to one computer, because it allows simultaneous connection of two keyboards to the same keyboard port.

The *Y-key key* can be daisy chained to provide several keyboard ports from one. Most keyboards draw about 40 ma, but in rare cases they can draw up to 175 ma; for this reason, we do not recommend connecting more than 3 or 4 keyboards to one port. The current carrying capacity of the keyboard port should be determined before connecting multiple *Y-key keys*.

Specifications

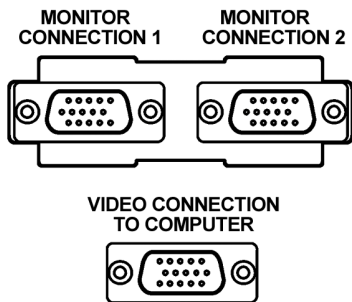
| | |
|----------------------------|--|
| Operating System(s) | All systems that support PC type keyboards |
| Connectors | Two 6 pin PS/2 sockets, one 6 pin PS/2 plug (mini DIN 6) |
| Dimensions | 4" x 2.5" x .75", 100 mm x 63 mm x 20 mm without cord |
| Weight | 2 oz., 60 grams |
| Power Consumption | Less than 10 ma @ 5 vdc (each keyboard may draw between 30 and 175 ma) |
| Power Source | Keyboard port |
| Nominal Voltage | 5 vdc |
| Software | Special software is not required |
| Drivers | Uses default keyboard driver |
| Certification | FCC class B, CE |

Specifications subject to change without notice

Y-mouse by P.I. Engineering

Maahantuojaja: Scanmagnetics Oy, PL 34, 00811Helsinki, www.scanmagnetics.com
Phone: 09-2712200, Fax: 09-2712210, email: xkeys@scanmagnetics.com
www.ymouse.com

Y-see two Dual Monitor Adapter (WHYM-0006)



- Perfect for presentations
- Excellent for displays at tradeshow, in stores, etc.
- Supports resolutions up to 1280x1024 and 32 bit color (4 billion colors)
- Great for systems designed to function in two locations, i.e. different sides of a desk or two adjacent rooms

Use 2 Monitors at the same time. *Y-see two* is the best way to attach two monitors to one computer. It boosts and splits the (S)VGA signal providing simultaneous display of the same picture. The *Y-see two* makes connecting two monitors a snap!

Y-see two works with any two VGA/SVGA type monitors that use standard 15 pin plugs and that support the same resolutions. Supports resolutions up to 1280x1080 and 32 bit (4 billion) colors. AC external wall mount (5 vdc) power supply can provide required power if keyboard port cannot be accessed for power.

Specifications

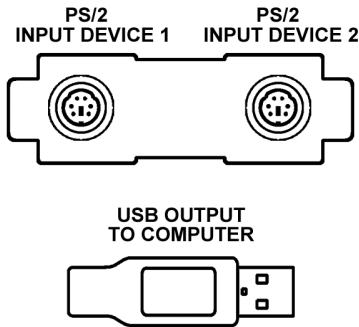
| | |
|-------------------------------|---|
| Operating System(s) | Any VGA or SVGA 15 pin video signal |
| Connectors | Three DB15 VGA, one DIN 6 (PS/2) keyboard power tap |
| Dimensions | 4" x 2.5" x .75", 100 mm x 63 mm x 20 mm without cord |
| Weight | 6 oz., 180 grams |
| Power Consumption | 250 ma @ 5 vdc with two monitors attached |
| Power Source | Keyboard power tap |
| Nominal Voltage | 5 vdc |
| Accessories (included) | One 6 to 5 pin adapter and one 5 to 6 pin adapter for power tap |
| Accessories (optional) | 5 volt wall transformer to provide power in remote application |
| Software | Special software is not required |
| Certification | FCC class B, CE |

Specifications subject to change without notice

Y-mouse by P.I. Engineering

Maahantuojaja: Scanmagnetics Oy, PL 34, 00811Helsinki, www.scanmagnetics.com
 Phone: 09-2712200, Fax: 09-2712210, email: xkeys@scanmagnetics.com
www.ymouse.com

Y-mouse[®] Keyboard and Mouse Adapter for USB (WYHM-0008)



- Turn your laptop into a desktop with one simple connection
- Connect a full size PS/2 keyboard and mouse through the same USB port
- Use PS/2 input devices on a USB PC or Macintosh
- Great for connecting a PS/2 KVM system to a USB computer

The **Y-mouse Keyboard and Mouse Adapter for USB** works with any standard PS/2 mouse and keyboard. It connects to the USB port and uses the operating system's built-in HID drivers. The hardware buffers and transmits messages from both devices so they may work simultaneously on one USB port. The adapter can also be used to convert 2 mice or 2 keyboards from PS/2 to USB format.

Special settings for this adapter support different keyboard settings (see manual). A version of this adapter is also available for high powered devices like bar code readers (OEM-35-HP) as is a version to support special Sun Systems keystrokes (OEM-83-ST).

Specifications

| | |
|--------------------------|---|
| Hardware System | Systems with USB ports |
| Operating System | Win 98, Me, 2000, XP, Mac OS 9, OS-X, and others supporting HID devices |
| Connectors | One USB "A", two mini-DIN 6 pin sockets |
| Dimensions | 4" x 2.5" x .75", 100 mm x 63 mm x 20 mm without cord |
| Weight | 2 oz., 60 grams |
| Power Consumption | Low power USB device – less than 5 ma @ 5 vdc plus the power required by mouse and keyboard |
| Power Source | USB bus powered device |
| Nominal Voltage | 5 vdc |
| Software | None required – HID compliant device |
| Certification | FCC class B, CE |

Specifications subject to change without notice

Y-mouse by P.I. Engineering

Maahantuoja: Scanmagnetics Oy, PL 34, 00811Helsinki, www.scanmagnetics.com
Phone: 09-2712200, Fax: 09-2712210, email: xkeys@scanmagnetics.com
www.ymouse.com