

# 1-Fiber Detachable DVI Extender, DVFX-110



## Descriptions

Opticis new 1-fiber series is leading the trends in broad range of applications. Detachable DVI Extender, **DVFX-110** is easy to connect to your existing system, giving you and your customers the confidence that you have the best solution in the market.

**DVFX-110** is capable of driving uncompressed WUXGA (1920x1200) 60Hz DVI signal up to 1,000 meters (3280 feet) over one (1) single-mode or 500 meters (1640ft) over multi-mode fiber.

For better installation flexibility, it features patent pending Auto-EDID management, reading and restoring by just plugging to the display.

The key features of **DVFX-110** is, by using an optical passive splitter (OPS-116S), one(1) signal from transmitter can be copied up to 16 times and it gives you a cost effective and space saving installation for various application.

The OPTICIS **DVFX-110** is certified with IEC60601-1-2, FCC/CE and Class 1 Eye LASER Safety.

The Opticis 1-fiber detachable DVI extenders, **DVFX-110**, is sure to advance the connectivity solution to new heights, with some fundamental features that will be of great benefit in technology and cost to industry participants.

## Key Features

- Supports up to **WUXGA (1920x1200) @60Hz**.
- Supports bit rate up to **1.62Gbps/ch**.
- Transmits signal up to **1,000m over Single-mode fiber or 500m over Multi-mode fiber**.
- Expands **one(1) signal up to 16 times** with optical passive splitter (OPS-116S).
- Provides **Self-EDID** function.
- Supports wide operating temp. range, **0-50 degree**.
- Terminated by **SC connector**.
- Provides **Power, LD** (signal transmission) and **SD** (Signal detection) Indicators.
- Size: 39mm x 14.6mm x 68mm (W x H x D)
- Certification: IEC60601-1-2, FCC/CE, Class 1 LASER Industry Safety
- Supports **Auto-power switching** function.

## Applications

- Medical imaging system
- Video wall system
- Digital signage
- Military / Aerospace

# 1-Fiber Detachable DVI Extender, DVFX-110

## Technical Features

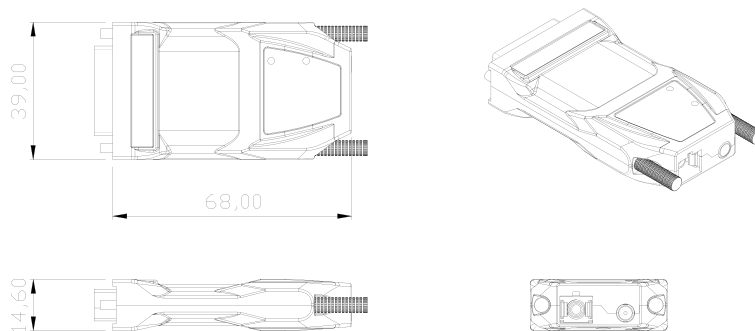
Resolution	WUXGA @60Hz
PER (500m)	< 10 at UXGA@60Hz
Bit rate	1.65Gbps / Ch
Self-EDID	Yes
Auto-power switching	Yes
Indicators	Power (Both), LD (Tx), SD (Rx)

## Optical

Fiber Type	Single-mode, Multi-mode
Number of Fiber	1
Output Connector	SC
Distance	1,000m over Single-mode fiber, 500m over Multi-mode fiber
Splitting	Up to 16-channel by optical passive splitter, OPS-116S

## Drawing Dimension [mm]

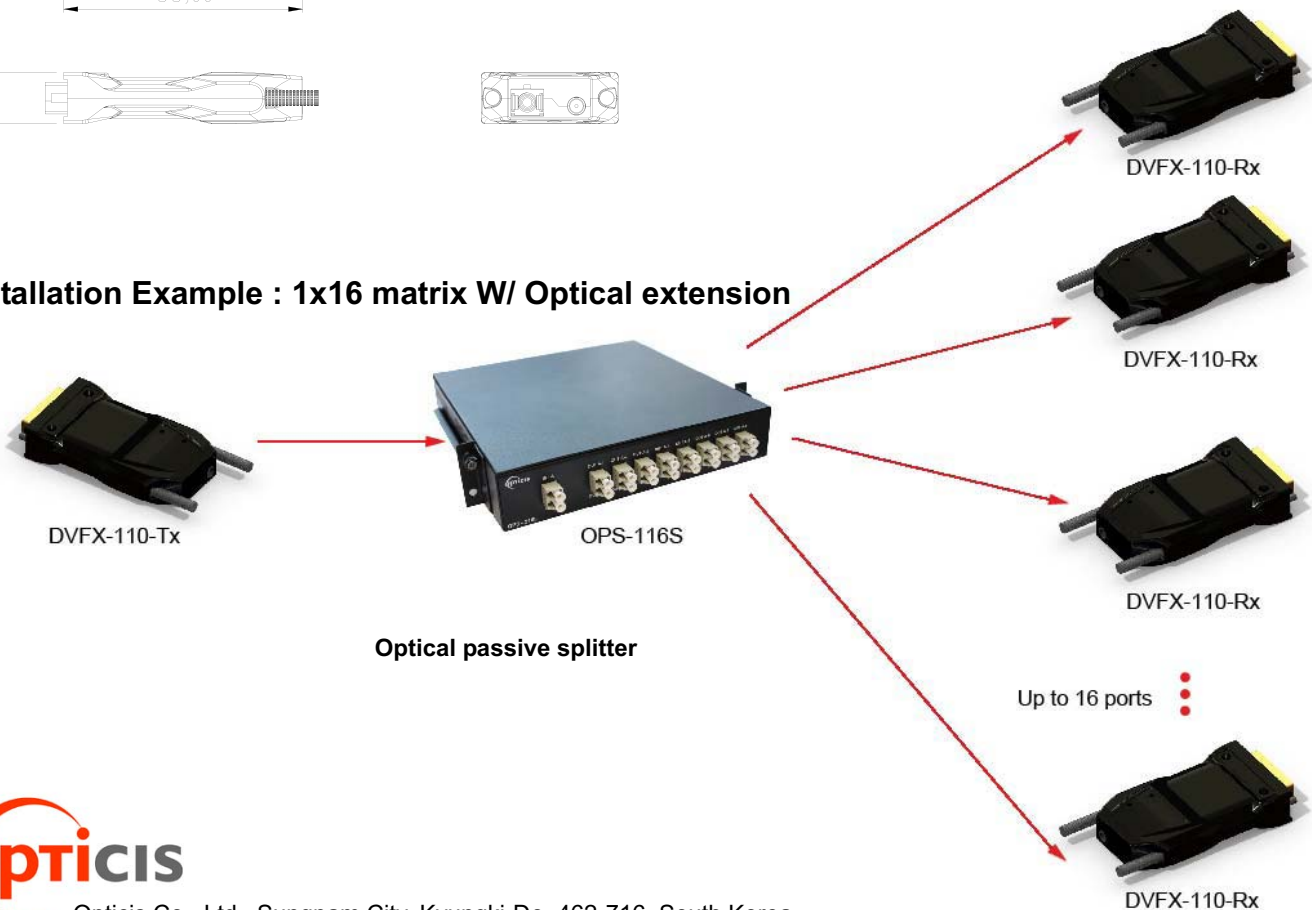
(W x H x D) 39 x 14.6 x 68 (mm)



## Physical

Dimension	39 x 14.6 x 68 (mm) (W x H x D)
Power Level	100-240VAC, 50~60Hz 5VDC @2A
Operating Temperature	0 ~ 50 °C
Humidity	0 to 95% RH, non-condensing

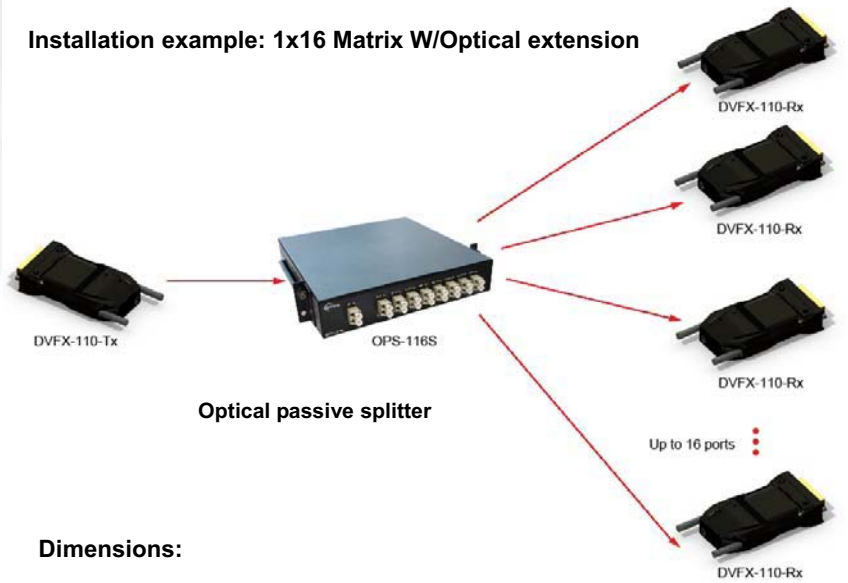
## Installation Example : 1x16 matrix W/ Optical extension



# OPS -Optical Passive Splitter and 19" 1RU Frame



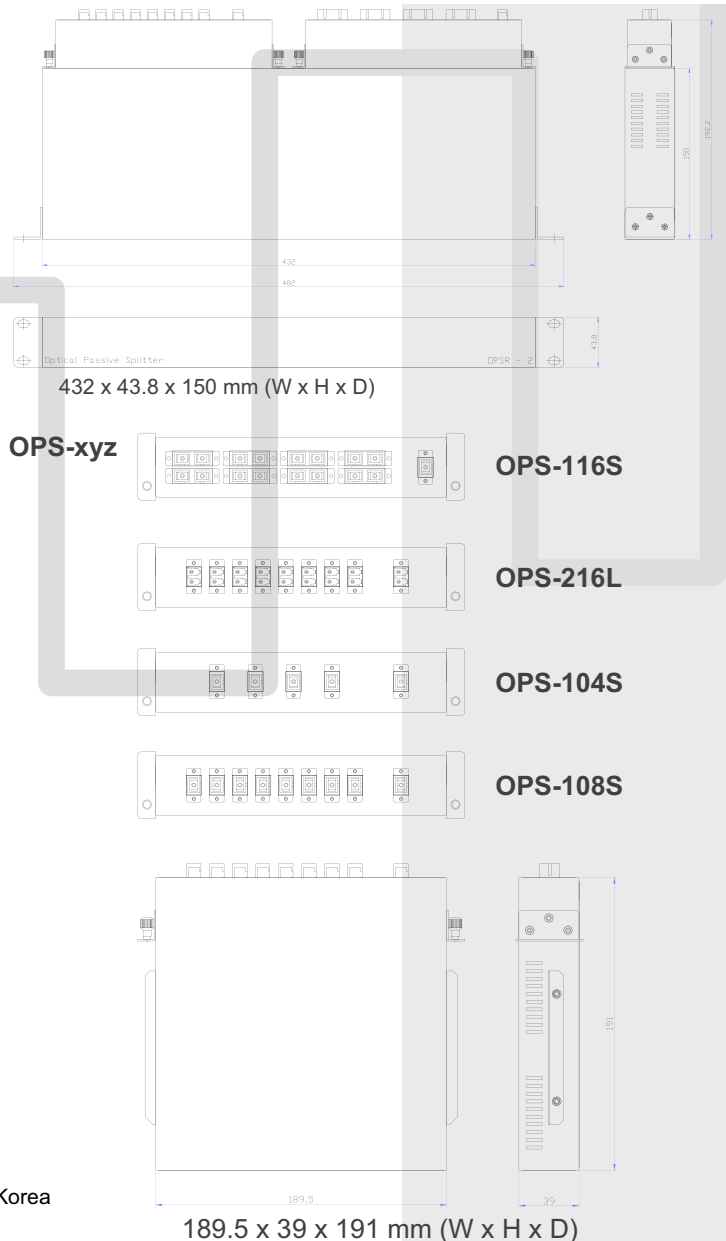
Installation example: 1x16 Matrix W/Optical extension



## Descriptions

Opticis new optical passive splitter, **OPS-xyz** distributes optical signal over single-mode fiber up to 16 channels without any active device or electrical power to maximize the efficiency and minimize the cost of digital signage installation. Two (2) units of **OPS-xyz** can be fitted into 19" 1RU frame, **OPSR-2** and for sure one unit can be used as stand-alone type to save the installation space. Optical passive splitter, OPS-xyz will take some fundamental changes again to all industry and its participants with simple but powerful features and competitive price beyond other solutions.

## Dimensions:



## Configurations

### OPS-xyz; Optical Passive Splitter

- x: (1<sup>st</sup> digit): The number of input fiber (1, 2)
- y: (2<sup>nd</sup> digit): The number of output fiber (4, 8, 16)
- z: (3<sup>rd</sup> digit): Connector type (S: SC connector, L: LC connector)

### OPSR-2; 19" 1RU frame for Optical Passive Splitter

- OPSR-2 can adopt two(2) units of Optical Passive Splitter, OPS-xyz.
- Power is not needed.

**Applicable Products:** Opticis DVFX-110, M1-201DA-TR, M1-203D-TR and M1-3R2VI-DU.

## Technical Specifications

Items	Specifications		
	OPS-104S OPS-208L	OPS-108S OPS-216L	OPS-116S
Operating Wavelength (nm)	1260 to 1650		
Insertion Loss (Max)	≤ 7.8	≤ 11.0	≤ 14.3
Insertion Loss Uniformity	≤ 0.8	≤ 1.0	≤ 1.5
Return Loss	≥ 55 dB		

Document Version 1.0